

Tooling guide for **Kongsberg X** cutting tables



Table Of Contents

| | | | |
|---|-----------|---|-----------|
| Tooling Heads | 4 | Crease Tools | 26 |
| FlexiHead | 4 | Crease Tool 15 mm | 26 |
| PowerHead | 5 | Crease Tool 26 mm | 27 |
| MultiCUT-HP | 6 | Crease Wheel adapter | 28 |
| LubriCool Misting Option for MultiCUT-HP | 7 | Plotting Tools | 29 |
| MultiCUT 1kW | 8 | Ballpoint Pen Tool | 29 |
| FoamHead | 9 | Fiber Tip Pen Tool | 30 |
| Oscillating Knife Tools | 10 | Heavy Duty and V-notch Tools for PowerHead | 31 |
| Standard Reciprocating Knife Tool | 10 | HD Knife 17 | 31 |
| Multi Purpose High Frequency (MP-HF) Knife Tool | 11 | HD Knife 30 | 32 |
| Long Stroke Knife Tool | 12 | HD BevelKnife | 33 |
| Foam Knife Tool | 13 | V-notch Knife 45° | 34 |
| Rotary Cutting Tools | 14 | V-notch Knife 45° 10 mm | 35 |
| RotaCut Tool | 14 | V-notch Knife 30° | 36 |
| Static Knife Tools | 15 | V-notch Knife 22.5° | 37 |
| CorruSpeed Tool | 15 | V-notch Knife 15° | 38 |
| Rigid Material Knife tool | 16 | Crease Wheel Adapter for 15 mm wheels | 39 |
| Psaligraphy Knife Tool | 17 | Crease Wheel Adapter for 26 mm wheels | 40 |
| Static Knife Tool General Purpose | 18 | Crease Wheel Adapter for 60 mm wheels | 41 |
| Static Knife Tool Single Edge | 19 | Crease Blade Adapter 8 mm | 42 |
| RBI90-16 | 20 | Knife Blade Adapter | 43 |
| V-Notch Insert Tools | 21 | Specialty Tools | 44 |
| VI45-16 | 21 | BevelKnife Tool for Flexo Plates and Solid Board | 44 |
| VI45-10 | 22 | Braille Tool | 45 |
| VI30-16 | 23 | Drill Tool | 46 |
| KissCutting Knife Tools | 24 | Flexo Drill for Corrugated Flexo Plates | 47 |
| MicroCut Tool | 24 | Accessories | 48 |
| KissCutting Knife Tool | 25 | The X-pad | 48 |
| | | Tool Trolley | 49 |
| | | The best results on a wide range of materials | 50 |

FLEXIHEAD

Sales code: 97AR5609

What is it used for?

The FlexiHead is widely used for folding carton, corrugated and most other paperboards. It combines highly accurate cutting with power and robustness even for the most complex and compact materials such as solid board and the full range of synthetic materials used for packaging and displays. It's also typically used for flexible materials.

The FlexiHead is the only head that features three tool positions for the full range of standard insert tools.

The maximum material thickness that can be cut is about 20 mm (3/4 inch). Using Foam Knife you can cut up to 30 mm [1 1/4 inch] but this requires high traverse clearance.

Material

Folding carton, corrugated, plastic corrugated, solid board, fluted core board, flexible materials, corrugated plastic, flexographic clichés, thin foam.

Benefits

- › Highly versatile
- › High accuracy for fine details

Options

- › i-camera 97AR5527 (Included in the Sign Production style kit)
- › All standard Kongsberg X Series Insert Tools



POWERHEAD

Sales code: 97AR5610

What is it used for?

The PowerHead offers the possibility to crease, V-notch and cut straight lines at high speeds with a variety of adapters. This ensures superior performance with heavy duty material such as double wall, triple wall and recycled board, plus the newest environmental boards.

It features 150 mm (6 inch) diameter crease wheels with a scoring pressure equivalent to 50 kg – 110 lbs, which is 2½ times more than the down-pressure of the conventional tool stations. Sufficient to crease triple and double-wall corrugated with heavy liners. In addition it comes with two regular tool positions, which means that all standard insert tools can be used.

The large-size wheels also provide superior crease quality on recycled corrugated board, especially because a higher pressure can be applied without cracking the liner.

The HDU can offer V-notch cutting, with mitered corners and extremely precise folds for loading pallets, and container cushioning pieces, and paper core board displays.



Materials

All sorts of corrugated boards up to triple wall and including high recycled content, fluted core board, honeycomb, corrugated plastic, foam board.

Maximum material thickness 25 mm (1 inch). Using Foam Knife you can cut up to 30 mm [1¼ inch] but this requires high traverse clearance.

Benefits

- › 50 kg -110 lbs down force
- › Powerful head rotation
- › Large variation of V-notch tools (angles)
- › HD knife tools

Included

- › Crease wheel, Ø150 4-point
- › Crease wheel, Ø150 6-point
- › Crease wheel, U-shape Ø150

Options

- › i-camera 97AR5527 (Included in Sign Production style kit)
- › V-notch tools, HD tools, Adapter for, 15 mm crease, 26 mm crease, 60 mm Crease and Perforation wheels
- › All standard Kongsberg X Series Insert Tools

MULTICUT-HP

Sales code: 97AR5611

What is it used for?

The MultiCUT-HP allows for milling, contour cutting, routing, drilling and engraving. It's suitable for high speed routing in a wide range of materials such as foamed PVS, solid PVC/PS, acrylic, aluminum composite Material (ACM), MDF, wood...

The 3kW milling spindle offers fast feed rates, thus considerably widening the bottleneck that routing jobs often present. The spindle features a 3kW of milling power and speeds up to 60,000 RPM. It is liquid cooled in order to utilize its full power potential. In addition it comes with two regular tool positions, which means that all standard insert tools can be used.

The MultiCUT-HP includes a software function to supervise and monitor the spindle current, which is useful to adjust the feed rate and RPM settings for new materials.



Material

Foamed PVC, solid PVC/PS, acrylic, aluminum composite Material (ACM), MDF, wood...

The maximum material thickness that can be milled is 25 mm (1 inch) Knife cutting is about 20 mm. Using Foam Knife you can cut up to 30 mm [1 1/4 inch] but this requires high traverse clearance.

Benefits

- › High quality routing at high speed
- › High power, liquid cooled motor
- › Large range of specialized and balanced milling bits
- › Very fast milling bit exchange

Included

Milling starter kit for 6 mm shank:

- › 1x Acrylic 3 mm, single flute, 3 mm tip, 11 mm flute length
- › 1x Acrylic, single flute, 5 mm tip, 22 mm flute length
- › 1x Multi-purpose, 3 mm tip, 11 mm flute length
- › 1x Multi-purpose, 5 mm tip, 22 mm flute length
- › Felt Milling underlays: approx. 3 mm thick
- › X-Pad

Options

- › i-camera 97AR5527 (Included in the Sign Production style kit)
- › (97AR5661) LubriCool Misting Option – see separate chapter
- › Optional collet shank sizes: 3 mm, see the Bits and Blades Catalogue
- › Non slip routing underlay – See online shop

LUBRICOOL MISTING OPTION FOR MULTICUT-HP

Sales code: 97AR5661

What is it used for?

LubriCool is an option for the MultiCUT-HP. It cools the milling bit and lubricates the routing process. Resulting in significantly higher productivity and an extended life length of the milling bits for materials such as Aluminum composite Material (ACM) and some aluminum alloys.

The system is set up with a reservoir with special "oil" that is converted into a mist with help of compressed air and a mixing zone.

The mist is sprayed directly on the router bit via three nozzles during operation, only a small drop of oil every 10 seconds is needed (factory preset). This small amount ensures no trace on samples and low consumption.

The system can be turned off when routing materials where misting is not beneficial.

Materials

Aluminum composite Material (ACM), aluminum.

Benefits

- › Higher productivity (run faster with less passes)
- › Smoother routing surface, less after work
- › Extended life length of router bits

Included

- › Routing liquid
- › Extra suction ring
This ring has a larger opening and should normally be used when routing materials where the LubriCool function is not in use. Especially when routing materials that generate a large amount of dust or chips, such as MDF, wood and acrylics.



MULTICUT 1KW

What is it used for?

The MultiCUT allows for entry level milling, contour cutting, routing, drilling and engraving. It's suitable for routing in a wide range of materials such as foamed PVC, solid PVC/PS, acrylic, aluminum composite Material (ACM), MDF, wood...

The spindle features a 1kW of milling power and speeds up to 45,000 RPM. The MultiCUT features an air-cooling feature for the milling bit important for the edge quality when milling acrylic and other synthetic materials. In addition it comes with two regular tool positions, which means that all standard insert tools can be used.

Material

Foamed PVC, solid PVC/PS, acrylic, aluminum composite Material (ACM), MDF, wood...

The maximum material thickness that can be milled is 25 mm (1").

Benefits

- › High quality routing at high speed
- › Large range of specialized and balanced milling bits
- › Very fast milling bit exchange

Included

- › Milling starter kit for 6 mm shank:
- › 1x Acrylic 3 mm, single flute, 3 mm tip, 11 mm flute length
- › 1x Acrylic, single flute, 5 mm tip, 22 mm flute length
- › 1x Multi-purpose, 3 mm tip, 11 mm flute length
- › 1x Multi-purpose, 5 mm tip, 22 mm flute length
- › Felt milling underlays: approx. 3 mm thick
- › i-camera

Options

- › X-pad
- › Optional collet shank sizes: 3 mm, see the Bits and Blades Catalogue
- › Non slip routing underlay – See online shop



FOAMHEAD

Sales code: 97AR5612

What is it used for?

The Foam Head is a heavy duty tool made for cutting a large range of foam materials up to 86 mm (3 3/8") thickness. These types of foam are typically used in the protective packaging industry.

The FoamHead is a reciprocating knife designed with characteristics optimal for low density porous material. It runs at a frequency of 4800 strokes per minute and at amplitude of 4 mm. The great Z-axis control gives an advantage when cutting foam because it ensures consistent partial cut, which is very important with many foam designs.

Support wheels safeguard the user from the sharp blades and improve cutting abilities by applying pressure on top of the foam material.

Foam materials can normally be converted at a speed up to about 15 m/min with this tool depending on material quality.

A wide range of blades also makes it suitable for honeycomb and fluted core board.

FoamHead requires a high traverse clearance.



Material

- › Polyethylene foam, expanded Polystyrene, fluted core board, paper honeycomb board
- › Please note that some foam materials have a tendency to melt and stick to the knife, also materials with open cells would require additional hold down

Benefits

- › Perfect for cutting a wide range of foam materials at high speed
- › Large range of specially designed blades for material versatility
- › Support wheels to hold the material down

Included

There are three adapters for round blades included, for up to 32 mm material thickness, for up to 55 mm material thickness and for up to 80 mm material thickness.

The adapters accept the SR63xx, SR65xx, SR68xx style blades. Two blades of each type are also included.

Options

- › Adapter for flat 40 mm blades: 34014845
- › Adapter for flat 60 mm blades: 34014803
- › Adapter for flat 86 mm blades: 34002659
- › See the Bits and Blades Catalogue for more information

Oscillating Knife Tools

STANDARD RECIPROCATING KNIFE TOOL

Sales code: 97AR5598

What is it used for?

This tool is suitable for single and double-wall corrugated board and other light-duty fibrous materials, such as corrugated board, soft foam board and corrugated plastic.

It runs at a frequency of 6000 Strokes per minute and with amplitude of 0.3 mm.

These properties, along with a powerful motor, enable cutting at full table speed with good quality materials.

A floating foot is used to reduce material tear and to keep the material down.

The cup is made of synthetic material to avoid scratching of printed surfaces.

Maximum cutting thickness: 20 mm - 3/8"-3/4" depending on blade.

Different knife adapters allow for different knife types. Maximum cutting thickness is 10-20 mm - 3/8"-3/4" depending on blade.

Material

Corrugated single wall, corrugated double wall, micro flute, soft foam board, corrugated plastic.

Benefits

- › High Speed (full machine speed when using good quality board)
- › Cuts a wide range of porous materials
- › Large range of high quality long life knife blades

Included

- › Adapter for SR6xxx blades includes 3 x BLDSR-6223 and 3 x SR-BLD6224 knife blades

Options

Works with a wide range of blades, see the Bits and Blades Catalogue.



MULTI PURPOSE HIGH FREQUENCY (MP-HF) KNIFE TOOL

Sales code: 97AR5602

What is it used for?

The MP-HF Knife Tool is a high-frequency reciprocating knife tool for cutting a lot of different materials, such as corrugated board with high-recycled content, soft foam board, corrugated plastic and fluted core board.

It runs at a frequency of 12000 strokes per minute and amplitude of 1.2 mm, which requires a reduced cutting speed compared to the standard Reciprocating Knife Tools.

These properties, along with a powerful motor, enable cutting of heavily recycled board at efficient speed.

A floating foot is used to reduce material tear and to keep the material down.

Material

Corrugated material with high recycled content, fluted core board, Honeycomb board, soft foam board, corrugated plastic, high density foam...

Maximum cutting thickness is 20 mm – 3/4"

Benefits

- › Multi-purpose reciprocating knife tool for heavy duty board
- › Good performance with high recycled content board
- › Large range of knife blades

Included

- › Adapter for round SR6xxx blades, incl 3x BLD-SR6223, 3x BLD-SR6224, 3x BLD-SR6310 and 3x BLD-SR6303 knife blades
- › Gliding foot for 20 mm – 3/4" material cutting thickness

Options

- › (97AR505) Gasket package for MP HF Knife tool; The special SF3xx knife adapter and 4 x SF312 and 4 x SF313 knife blades for cutting in tough gasket materials
- › Works with a wide range of blades, see the Bits and Blades Catalogue



LONG STROKE KNIFE TOOL

Sales code: 97AR5600

What is it used for?

This is a special variant of the reciprocating knife tool. The characteristic of this tool gives it excellent performance in materials like die ejection rubber, which makes it a perfect match for customers that like to take full advantage of the rubbering module in ArtiosCAD.

It runs at a frequency of 4800 Strokes per minute and amplitude of 8 mm.

A floating foot is used to keep the material down.

Material

- › Die ejection rubber
- › Maximum cutting thickness is 20 mm – 3/4" (about 10mm with the foot mounted)

Benefits

Good performance on die ejection rubber.

Included

- › Adapter for cylindrical blades (SR6xxx series). Included 3x BLD-SR6375 knife blades
- › Gliding foot for 20 mm – 3/4" material cutting thickness



FOAM KNIFE TOOL

Sales code: 97AR5599

What is it used for?

The Foam Knife is a reciprocating knife tool for cutting a lot of different foam materials up to about 30 mm [1 1/4"]. These types of foam are typically used in the protective packaging industry.

It runs at a frequency of 4800 strokes per minute and amplitude of 4 mm [.157"], which requires a reduced cutting speed compared to the other Reciprocating Knife Tools. Foam materials can normally be converted at a speed up to about 15m/min with this tool depending on material quality.

The great Z-axis control gives an advantage when cutting foam because it ensures consistent partial cut, which is very important with many foam designs.

A floating foot is used to keep the material down.

Please note

This tool requires high traverse clearance; it is not available for the Kongsberg X Starter.

Material

- › Polyethylene foam, expanded polystyrene, fluted core board, paper honeycomb board
- › Please note that some foam materials have a tendency to melt and stick to the knife, also materials with open cells would require additional hold down

Benefits

- › Perfect for cutting a wide range of foam materials at high speed
- › Large range of specially designed blades for material versatility

Included

- › Adapters for the SR63xx, including 5x SR6311
- › Adapter for the SF5xx blades, including 3x SF503
- › Gliding foot

Options

Works with a wide range of blades, see the Bits and Blades Catalogue.



ROTACUT TOOL

Sales code: 97AR5603

What is it used for?

The RotaCut Tool is specifically developed for cutting textiles, canvas, mesh and other air transparent materials.

Since most textiles are more or less air transparent the vacuum hold-down system of the table will not be effective when cutting such materials. The RotaCut Tool has been designed with this in mind.

It operates by rotating a 10-facetted knife blade at 10 000 RPM. The blade protrudes from a slot in a hold-down foot that presses down on the material. The foot is made from a material that reduces friction to a minimum, and these properties, in connection with the fibrous surface of the conveyor belt, or felt mats; provide a hold-down sufficient for cutting most textile materials.

Maximum cutting depth is 2 mm / 0.07 inch.

Material

Textile, banner, canvas, mesh, carpet.

Benefits

- › Floating foot for material hold
- › High speed 10-facetted knife blade
- › Software controlled overcut function

Included

5x RC110 decagonal knife blades and tools for blade change.

Options

Applicable knife blades RC10 decagonal knife blade.



CORRUSPEED TOOL

Sales code: 97AR5689

What is it used for?

The CorruSpeed Tool is developed for cutting corrugated board at high speeds without oscillating. The CorruSpeed Tool achieves significant time savings on many corrugated boards, even with recycled content.

The CorruSpeed operates with a crushing cup, which in combination with controlled down pressure makes it possible to use a drag knife without tearing or cracking the liner.

Setting up the tool for different board qualities is easily done with help from adjustment wheels / knob.

The tool also comes with two edge crushing cups, radius 16 and 14,5 where the 14,5 gives more pre-crush.

Which cup to use will depend on the thickness and quality of the corrugated board. The feet are easy to change; they are guided by pins and magnets and snap in place easily.

Material

The CorruSpeed Tool is designed to work with corrugated board up to double wall BC flutes (7 mm).

Benefits

- › High productivity (in many cases the full machine speed: 50 m/min)
- › Silent, the only noise you hear is the machine movement
- › Smooth cut, the tools doesn't oscillate, so that means no tagged edge
- › Pre crushed lines: cutting lines are more similar to a die cut

Please note

For corrugated board with extremely short fibers and high recycled content, you might still need the properties of high frequency knife tools.

Included

- › 2x crushing cups, with radius 16 and 14,5
- › 8 standard knife blades: 2x BLD-SR8170, 2x BLD-SR8172 2, BLD-DR8160 and 2x BLDDR8180

Options

Works with the SR/DR 8XXX blades, see the Bits and Blades Catalogue.

System requirements

iPC 2.0



RIGID MATERIAL KNIFE TOOL

Sales code: 97AR5010

What is it used for?

The Rigid Material Knife Tool is a static knife tool suitable for a wide range of materials at high speed. There is a large selection of knife blades available that makes it possible to cut everything from light weight detailed work to heavy rigid board like plastic foamed PVC 3 mm.

The maximum cutting depth is defined by the blades; maximum thickness is 13 mm / ½ inch.

Material

Flexible plastic sheets, foamed PVC up to 3 mm, triple wall corrugated, soft foam board, corrugated plastic, cardboard, display board, vinyl, PVC banner.

Benefits

- › A flexible all around knife tool, used for a wide range of applications
- › Rigid board cutting at high speed
- › High quality specially developed blades

Included

2 x BLD-DR8160, 2 x BLD-DR8180, 2 x BLD-SR8170, 2 x BLD-SR8172

Options

- › Works with all Kongsberg knife blades in the BLD-SR/DR8xxx series, including asymmetric blades for burr-free edges.
- › Crease blades



PSALIGRAPHY KNIFE TOOL

Sales code: 97AR5521

What is it used for?

The Psaligraphy Knife Tool is specifically developed for fine details in thin materials like paper and folding carton. This is achieved by a spring loaded floating plastic foot in combination with special designed knife blades.

This tool is typically used for applications like greeting cards, invitation cards, promotional items, folding carton samples and psaligraphy art.

Material

Fine detailed paper cut, folding carton.

Benefits

- › Cuts out intricate details without lifting, moving or tearing the material.
- › High quality specially designed knife blades with long life
- › User friendly plastic foot that snaps in place guided by pins and magnets

Included

2x BLD-SR6150 and 2x BLD-SR6151 round shaft cutting blades.

Options

Works well with all Kongsberg knife blades in the BLD-SR/DR61xx series including asymmetric blades for burr-free edges.

System requirements

iPC 1.2



STATIC KNIFE TOOL GENERAL PURPOSE

Sales code: 97AR623

What is it used for?

The Static Knife General Purpose is a general purpose knife tool, suitable for a wide range of materials; it is typically used for flexible, paper based and rigid materials with thickness larger than 1 mm.

Material

Flexible plastic sheets, cardboard, display board, vinyl, and PVC banner.

The maximum cutting depth is defined by the blades; with standard maximum thickness is 3 mm / 1/8 inch.

Benefits

A flexible all around knife tool, used for a wide range of applications.

Included

5xBLD-SF177, 5xBLD-SF224, 3xBLD-SF238



STATIC KNIFE TOOL SINGLE EDGE

Sales code: 97AR833

What is it used for?

The Static Knife Single Edge is suitable for thin soft flexible materials like paper, folding carton, vinyl...

Material

- › Flexible plastic sheets, Folding Carton, paper, vinyl
- › The maximum cutting depth is 3 mm

Benefits

- › A flexible all around knife tool, for thin materials
- › Thin long lasting blades

Included

4 x BLD-SF216, 4 x BLD-SF217



RBI90-16

Sales code: 97AR5407

What is it used for?

RBI90-16 (Rigid Board Insert 90-16) is made for high-speed straight cutting in rigid boards like fluted core board (Re-board, Falcon board, X-board), honeycomb board and triple wall corrugated.

One can get an extremely efficient production set up with the FlexiHead/PowerHead by using the RBI90-16 tool for high speed cutting of straight lines, the MP HF Knife tool for cutting the curves and V-notch tools for cutting folding lines.

Material

- › Fluted core board, honeycomb board and triple wall corrugated
- › Maximum cutting thickness for RBI90-16 is up to 16 mm

Benefits

- › High-speed cutting of rigid boards
- › Perfect combination for v-notch application
- › Specially designed high quality blades

Included

2x BLD-SF290 a special designed knife blade.

Options

Works well with a range of Kongsberg single flat knife blades, see the Bits and Blades Catalogue.

System requirements

XL Guide 6066, i-Cut 7.2.2 or iPC 1.1



V-Notch Insert Tools

VI45-16

Sales code: 97AR5313

What is it used for?

For 45° V-notch cutting in triple wall corrugated, corrugated plastic and fluted core board. Its application is to make a 90° partially cut V-notch for folding functionality or a through-cut leaving a slanted cutting edge.

This tool is an insert tool which enables V-notch cutting with the MultiCUT, PowerHead and FlexiHead tool heads. When used in combination with a HD Knife tool or RBI one will have a highly efficient fluted core board converter.

Limited to straight lines only.

Material

Fluted Core board, honeycomb board, soft foam board and triple wall corrugated.

Cutting depth is 16 mm - 5/8".

Please note that this tool is optimized for 16 mm thick board. If used in thinner materials, reduced cutting quality (wavy lines) can occur. If used for very thin or very rigid materials the blade holder can loosen and fall off.

Benefits

- › Perfect 45° slanted folding lines in 16 mm thick material
- › Specially designed high quality knife blades

Included

- › 1x BLD-DF571 1x BLD-DF572
- › Safety foot for safe mounting

Options

BLD-DF570



VI45-10

Sales code: 97AR5822

What is it used for?

For 45° V-notch cutting in corrugated, corrugated plastic and fluted core board. Its application is to make a 90° partially cut V-notch for folding functionality or a through-cut leaving a slanted cutting edge.

This tool is an insert tool which enables V-notch cutting with the MultiCUT, PowerHead and FlexiHead tool heads. When used in combination with a HD Knife tool or RBI one will have a highly efficient fluted core board converter.

Limited to straight lines only.

Material

- › Fluted Core board, honeycomb board, Soft Foam Board and triple wall corrugated
- › Maximum cutting depth is 12 mm – 1/2"
- › Please note that this tool is optimized for 10 to 12 mm thick board

Benefits

- › Perfect 45° slanted folding lines in 10 to 12 mm material
- › Specially designed high quality knife blades

Included

- › 1x BLD-DF561
- › 1x BLD-DF562
- › Safety foot for safe mounting

Software requirements

iPC 2.1 or higher



VI30-16

Sales code: 97AR5823

What is it used for?

For 30° V-notch cutting in triple wall corrugated, corrugated plastic and fluted core board. Its application is to make a 60° partially cut V-notch for folding functionality or a through-cut leaving a slanted cutting edge.

This tool is an insert tool which enables V-notch cutting with the MultiCUT, PowerHead and FlexiHead tool heads. When used in combination with a HD Knife tool or RBI one will have a highly efficient fluted core board converter.

Limited to straight lines only.

Material

Fluted Core board, honeycomb board, Soft Foam Board and triple wall corrugated.

Cutting depth is 16 mm - 5/8".

Please note that this tool is optimized for 16 mm thick board. If used in thinner materials, reduced cutting quality (wavy lines) can occur. If used for very thin or very rigid materials the blade holder can loosen and fall off.

Benefits

- › Perfect 30° slanted folding lines in 16 mm thick material
- › Specially designed high quality knife blades

Included

- › 1x BLD-DF571
- › 1x BLD-DF572
- › Safety foot for safe mounting

Options

BLD-DF570

Software requirements

iPC 2.1 or higher



KissCutting Knife Tools

MICROCUT TOOL

Sales code: 97AR626

What is it used for?

The MicroCut Tool has been designed for applications where very fine depth tolerances are needed, such as varnish blankets and half-cuts in the thinnest folding cartons and adhesive vinyl.

The tool foot rides the surface of the material and features a digital micrometer for high precision control of the cutting depth, with display settings for mm or inches. Which ensures a perfect cutting depth measured from the material surface.

Material

Varnish blankets, folding carton and vinyl.

Benefits

- › Perfect and consistent cutting depth for partial cuts
- › Micrometer precision
- › Ensures perfect result for varnish blankets without touching the back liner

Included

5 x BLD-SF110, 5 x BLD-SF177

Options

(97AR948) Alternative material foot for varnish blankets to overcome high friction on some kinds of varnish blanket.



KISSCUTTING KNIFE TOOL

Sales code: 97AR789

What is it used for?

The KissCutting Knife Tool is a specialty tool for kiss cutting adhesive vinyl (decals) and foils. It's used for applications where it is important to keep the backing intact and only cut through the top film.

Due to the characteristics of the material, a spring loaded pressure is required in order to achieve perfect peel/weed quality. The pressure is manual set with a scale indicated turn key.

Material

Adhesive vinyl (decals), foil, diamond grade foil.

Benefits

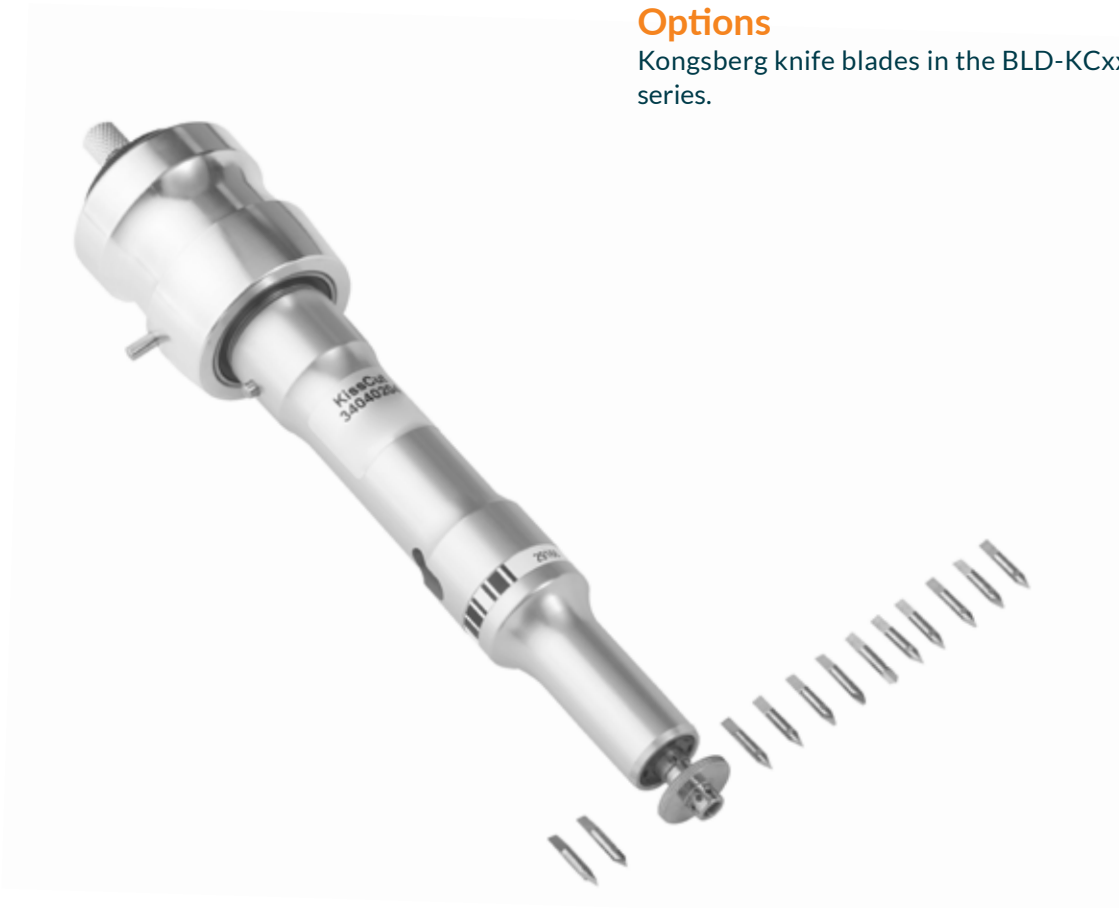
- › Perfect weeding/peeling quality
- › Only the knife blade touches the material; i.e. no scratching of shiny or printed surfaces

Included

- › incl. 3x KC101 and 3x KC102 knife blades
- › A foot for accurate depth control when more pressure is required
- › Two different pressure springs

Options

Kongsberg knife blades in the BLD-KCxx series.



Crease Tools

CREASE TOOL 15 MM

Sales code: 97AR6029

What is it used for?

The Crease Tool 15 mm is suitable for thin material qualities. It enables applications that demand a very small and distinct crease line, mainly in materials such as folding carton and paper.

Material

Paper and folding carton.

Benefits

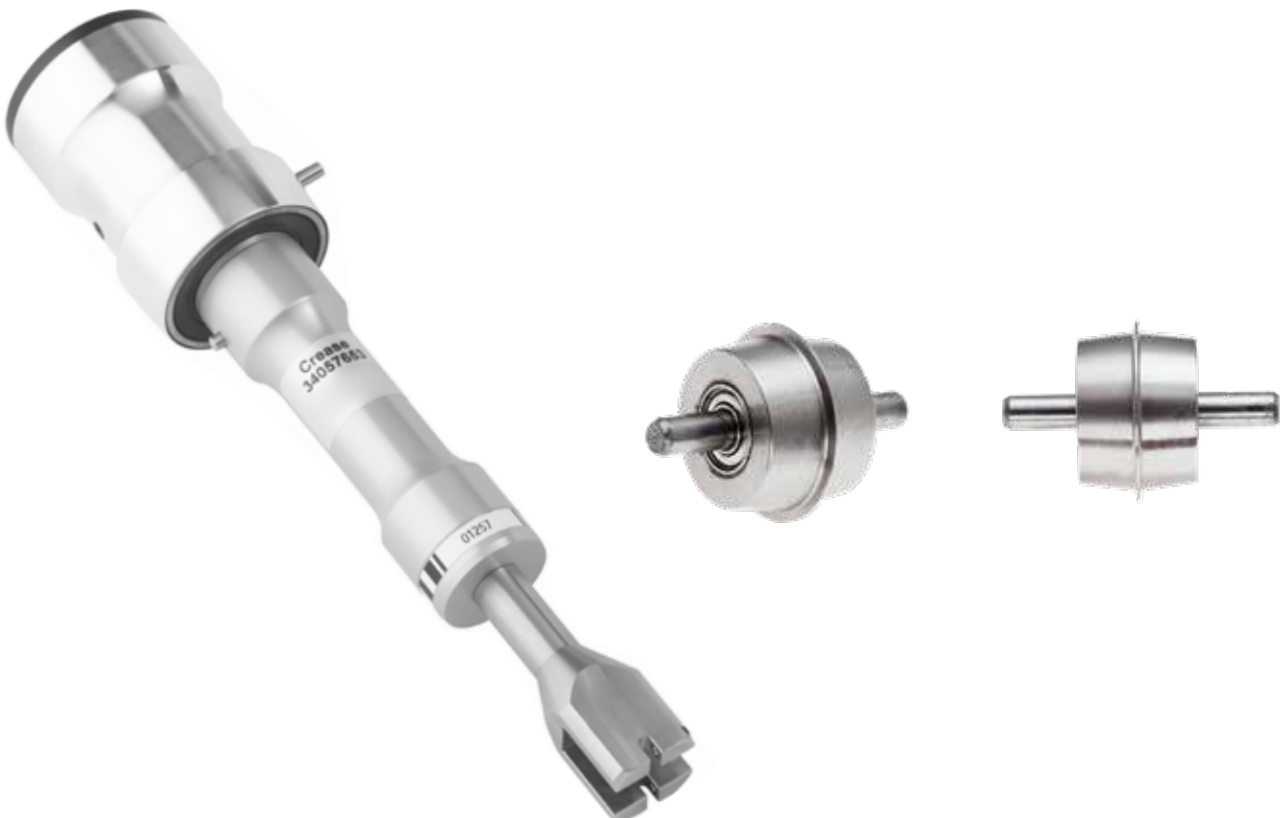
- › Fits in all tool head insert positions
- › Gives a distinct crease line in thin material

Included

2 point, 3 point and double edge 1 mm spacing crease wheels.

Options

A wide range of crease 15 mm wheels with different pointage.



CREASE TOOL 26 MM

Sales code: 97AR6028

What is it used for?

The Crease Tool 26 mm enables applications that demand a small sized creasing wheel on materials such as single wall corrugated, micro flute, corrugated plastic and folding carton.

Material

Micro flute and single wall corrugated, corrugated plastic, folding carton.

Benefits

- › Fits in all tool head insert positions
- › Gives a distinct crease line

Included

4 point, 6 point and 10 point crease wheels.

Options

A wide range of crease 26 mm wheels with different pointage.



CREASE WHEEL ADAPTER

Sales code: 97AR5408

What is it used for?

The 60 mm Crease Wheel offers the possibility to crease most corrugated thicknesses.

The medium-size wheels also allow for creasing with a higher pressure without cracking the liner, and with a limited over-crease.

It gives a sharper result to the 150 mm crease and at the same time allows harder pressure than the smaller wheel diameters.

The optional 60 mm Perforation Wheel pack offers the possibility to produce tear perforations at high speeds for corrugated board up to C flute (4 mm).

Material

Corrugated single wall, corrugated double wall, Micro flute.

Benefits

- › Medium crease overcut
- › Fits in all tool head insert positions

Included

- › a 4-point wheel suitable for E- and Micro Flutes
- › a 6-point wheel suitable for B- and C-flute
- › U-shaped wheel for double wall corrugated

Options

(97AR5517) 60 mm Perforation Wheel pack- For high speed perforation.

Includes Perforation Wheel holder and four standard perforation patterns , 3x3 mm, 5x5 mm, 7x5 mm, 10x10 mm. Maximum cutting thickness...

Please note

There is no software control on the wheel rotation, it is not possible to control how the perforation line starts, i.e. with a cut or with a space.



Plotting Tools

BALLPOINT PEN TOOL

Sales code: 97AR688

What is it used for?

The Ballpoint Pen Tool is used for pen drawing, plotting and sample marking on materials such as folding carton, paper, cardboard and other paper based materials.

Included

2x pen refills; black, medium line weight.

Options

Refill pen, see Bits and Blades Catalogue.



FIBER TIP PEN TOOL

Sales code: 97AR639

What is it used for?

The Fiber Tip Tool option provides drawing capabilities on materials such as clear vinyl, which normally cannot be marked with ball-point or liquid ink pens.

Included

8 multi-colored pen refills; medium line weight.

Options

Refill pen medium and thin line weight; see the Bits and Blades Catalogue.



Heavy Duty and V-notch Tools for PowerHead

HD KNIFE 17

Sales code: 97AR379

What is it used for?

Heavy-duty knife tool for PowerHead is used for rigid board such as fluted core board, display board and triple wall material for fast straight cutting. Maximum cutting thickness is 17 mm. Limited to straight lines longer than 50 mm (2").

Material

Fluted core board, triple wall, Honeycomb board.

Benefits

- > Frees up one tool position
- > Straight rigid panel cutting at high speeds

Included

5x BLD-TZ129



HD KNIFE 30

Sales code: 97AR725

What is it used for?

Heavy-duty knife tool used for fast straight cutting of rigid board such as fluted core board and honeycomb board material. The maximum cutting thickness is 30 mm. Limited to straight lines longer than 50 mm (1 1/4").

Material

Fluted core board, triple wall, Honeycomb board.

Benefits

- › Frees up one tool position
- › Straight rigid panel cutting at high speeds

Included

2x BLD-TZ230, a specially designed Tungsten Carbide knife blade.



HD BEVELKNIFE

Sales code: 97AR5821

What is it used for?

The HD BevelKnife tool is suitable for a 45° slanted cut for v-notching or single through cutting.

The kit is developed for V-notching of folding lines in solid board (grey board) material using the special developed knife blade BLD-SF245.

The purpose is to create an exact, sharp 90° fold in materials that cannot be folded with conventional crease tooling.

Material

- › Solid board and display board
- › The maximum cutting depth is 6 - 7 mm

Benefits

- › Perfect 45° slanted folding lines in thin materials

Included

5 x BLD-SF245.

Optional

Can also use the BLD-SF212 knife blades.

Software requirements

iPC 2.1 or higher



V-NOTCH KNIFE 45°

Sales code: 97AR620

What is it used for?

For 45° V-notch cutting in triple wall corrugated, corrugated plastic and fluted core board.

Its application is to make a 90° partially cut V-notch for folding functionality or a through-cut leaving a slanted cutting edge.

Maximum cutting depth is 16 mm - 5/8".
Limited to straight lines only.

Material

Fluted core board, honeycomb board, Soft foam board and triple wall corrugated.

Benefits

- › Perfect 45° slanted folding lines up to 16 mm material
- › Specially designed high quality knife blades

Included

2x BLD-TZ511 5x BLD-TZ192



V-NOTCH KNIFE 45° 10 MM

Sales code: 97AR274

What is it used for?

For 45° V-notch cutting for tougher materials like corrugated plastic.

Its application is to make a 90° partially cut V-notch for folding functionality or a through-cut leaving a slanted cutting edge.

The maximum cutting depth is 10 mm – 3/8". This will provide a more accurate cut in thinner material due to the shorter free end of the blade which gives less flex.

Max. cutting depth is 10 mm - 3/8". Limited to straight lines only.

Material

Fluted core board, honeycomb board, Soft foam board and triple wall corrugated.

Benefits

- › Perfect 45° slanted folding lines up to 10 mm material
- › Specially designed high quality knife blades

Included

2x BLD-TZ511 5x BLD-TZ192



V-NOTCH KNIFE 30°

Sales code: 97AR983

What is it used for?

For 30° V-notch cutting in triple wall corrugated, corrugated plastic and fluted core board. Its application is to make a 60° partially cut V-notch for folding functionality, such as 6-edge polygonal pillars or a through-cut leaving a slanted cutting edge.

The maximum cutting depth is 16 mm - 5/8"
Limited to straight lines only.

Material

Fluted Core board, honeycomb board, Soft FoamBoard and triple wall corrugated.

Benefits

- › Perfect 30° slanted folding lines up to 16 mm material
- › Specially designed high quality knife blades

Included

2x BLD-TZ511 5x BLD-TZ192



V-NOTCH KNIFE 22.5°

Sales code 97A5763

What is it used for?

For 22.5° V-notch cutting in triple wall corrugated, corrugated plastic and fluted core board.

Its application is to make a 45° partially cut V-notch for folding functionality, for products such as octagonal pillars, or a through-cut leaving a slanted cutting edge.

The maximum cutting depth is 16 mm - 5/8". Limited to straight lines only.

Please note

This tool can only be used on Kongsberg cutting tables with 2.0 or higher.

Material

Fluted core board, honeycomb board, soft foam board and triple wall corrugated.

Benefits

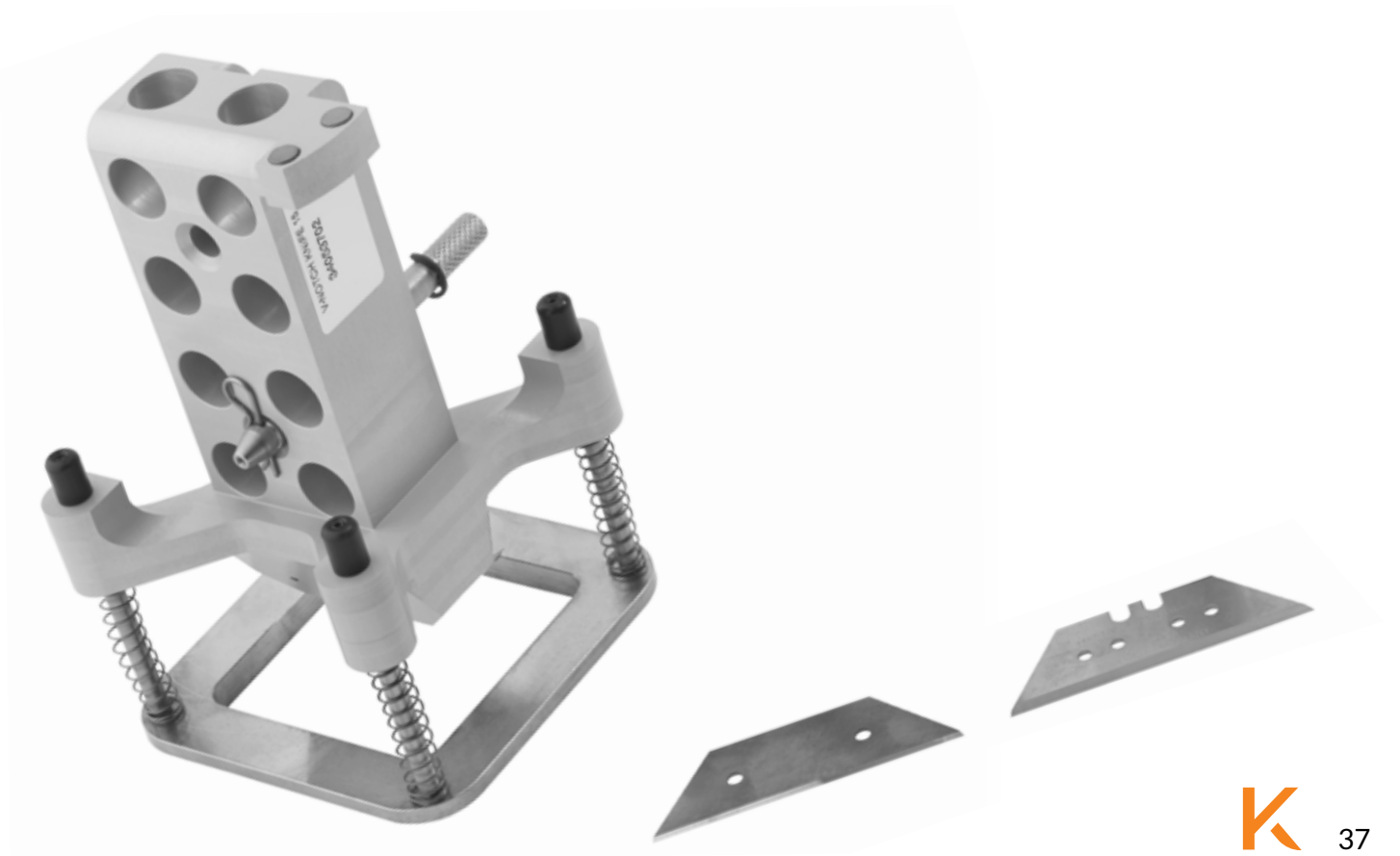
- › Perfect 22,5° slanted folding lines up to 16 mm material
- › Specially designed high quality knife blades

Included

2x BLD-TZ511 5x BLD-TZ192

System requirements

iPC 2.0



V-NOTCH KNIFE 15°

Sales code 97AR982

What is it used for?

For 15° V-notch cutting in triple wall corrugated, corrugated plastic and fluted core board. Its application is to make a 30° partially cut V-notch for folding functionality, such as 12-edge polygonal pillars or a through-cut leaving a slanted cutting edge.

Max. cutting depth is 16 mm - 5/8". Limited to straight lines only.

Material

Fluted Core board, honeycomb board, soft foam board and triple wall corrugated.

Benefits

- › Perfect 15° slanted folding lines up to 16 mm material
- › Specially designed high quality knife blades

Included

2x BLD-TZ511 5x BLD-TZ192



CREASE WHEEL ADAPTER FOR 15 MM WHEELS

Sales code: 97AR101

What is it used for?

An adapter for crease wheels with diameter 15 mm is available as an optional crease tool for the PowerHead HD position. This adapter is mainly used on thin materials such as folding carton and paper.

Material

Paper and folding carton.

Benefits

- › Frees up one tool position
- › Use the 15 mm crease wheel in combination with high down force
- › Creasing in thin materials

Included

Adapter only.

Options

All 15 mm crease wheels.



CREASE WHEEL ADAPTER FOR 26 MM WHEELS

Sales code: 97AR100

What is it used for?

An adapter for crease wheels with diameter 26 mm is available as an optional crease tool for the PowerHead HD position. This adapter enables the use of a smaller sized wheel for micro flutes, folding carton and plastic corrugated. The smaller wheels and the heavy crease power have a good effect on defeating the 'memory' of the plastic material.

Material

Corrugated single wall, micro well, corrugated plastic, folding carton.

Benefits

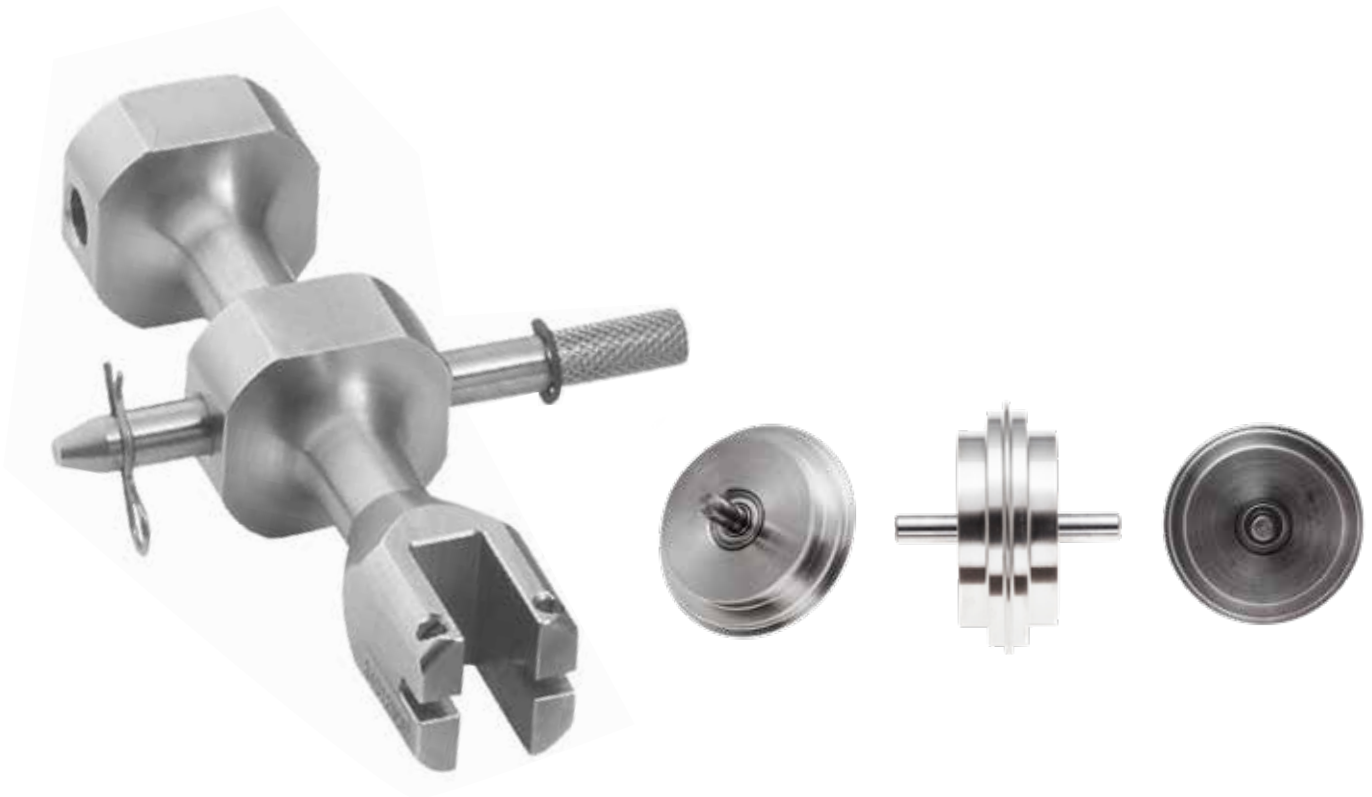
- › Frees up one tool position
- › Use 26 mm crease wheel in combination with high down force
- › Creasing in tough plastic materials

Included

Adapter only.

Options

All 26 mm crease wheels.



CREASE WHEEL ADAPTER FOR 60 MM WHEELS

Sales code: 97AR5588

What is it used for?

The 60 mm Crease Wheel adapter offers the possibility to crease most corrugated thicknesses.

The medium-size wheels also allow for creasing with a higher pressure without cracking the liner, and with a limited over-crease.

It gives a sharper result to the 150 mm crease and at the same time allows harder pressure than the smaller wheel diameters.

The optional 60 mm Perforation Wheel pack offers the possibility to produce tear perforations at high speeds for corrugated board up to C flute (4 mm).

Material

Corrugated single wall, corrugated double wall, micro flute.

Benefits

- › Enables high speed perforation wheel cutting
- › Enables High pressure, medium crease overcut

Included

Adapter only.

Options

60 mm Perforation Wheel pack (97AR5517)
- For high speed perforation.

Includes Perforation Wheel holder and four standard perforation patterns, 3x3 mm, 5x5 mm, 7x5 mm, 10x10 mm.

Please note

There is no software control on the wheel rotation, it is not possible to control how the perforation line starts, i.e. with a cut or with a space.

- › a 4-point wheel suitable for E- and Micro Flutes
- › a 6-point wheel suitable for B- and C-flute
- › U-shaped wheel for Double Wall Corrugated



CREASE BLADE ADAPTER 8 MM

Sales code: 97AR5955

What is it used for?

Crease blades are typically used for creasing flexible plastic sheets such as polypropylene.

With this type of material a blunt blade will give better folding capabilities than what can be achieved with a crease wheel.

The adapter also accepts BLD-SR/DR8XXX blades.

Material

Flexible plastic sheets, polypropylene.

Benefits

- › Creasing in tough flexible materials

Included

- › Crease blades adapter
- › 0.5 mm crease blade
- › 1.0 mm crease blade

Optional

- › All the 8mm round shaft knife blades, BLD-SR/DRxxx found on page 7 in the Kongsberg bits & blades catalogue



KNIFE BLADE ADAPTER

Sales code: BLD-SAF21X

What is it used for?

The adapter accepts BLD-DF212 and 213 knife blades, typically used together with the PressCut tool for trough cutting in combination with kiss cutting in adhesive vinyl and reflective foil.

Material

Adhesive vinyl, reflective foil, diamond grade.

Benefits

Trough cutting in adhesive vinyl and reflective foil (diamond grade).

Included

- › Crease blades adapter
- › 1 x BLD-DF212 knife blade
- › 1 x BLD-DF213 knife blade



Specialty Tools

BEVELKNIFE TOOL FOR FLEXO PLATES AND SOLID BOARD

Sales code: 97AR475 / 97AR5314

What is it used for?

The BevelKnife tool is suitable for a 45° slanted cut for v-notching or single through cutting. There are two BevelKnife tool kits available, for two different applications.

The first kit enables high performance cutting of beveled edges in flexographic clichés using the special developed knife blade BLD-SF212.

The second kit is developed for V-notching of folding lines in solid board (grey board) material using the special developed knife blade BLD-SF245.

The purpose is to create an exact, sharp 90° fold in materials that cannot be folded with conventional crease tooling.

Material

Flexographic clichés, Solid board and display board.

The maximum cutting depth is 6 - 7 mm.

Benefits

- › Perfect 45° slanted folding lines in thin materials
- › Perfect beveled edges in flexographic clichés

Included

- › (97AR475) includes 2 x BLD-SF212
- › (97AR5314) includes 5 x BLD-SF245



BRAILLE TOOL

Sales code: 97AR5396

What is it used for?

The Braille Tool enables the application of raised dots used in Braille, the tactile writing system people that are blind or visually impaired. Various government regulations make this tool necessary throughout the world.

The Braille tool inserts spheres into predrilled holes in rigid materials. The drilling requires the MultiCUT tool head and a special purpose milling bit. The Braille Tool is mounted as any other tool insert, into one of the free tool positions in the MultiCUT tool head.

The Braille spheres are inserted into small holes by a spring load in the tool. The tool is supplied with a plunger that has two purposes. First to force the spheres into the internal funnel, secondly to indicate the number of spheres remaining in the tool.

Material

Rigid materials like foamed PVC, PS, acrylic, ACM...

Benefits

Enable Braille signage.

Included

The Braille tool comes as part of a kit, also :

- > Including two milling bits
- > 10.000 clear acrylic spheres
- > Various hand tools, samples and documentation on how to make Braille signs

Options

Range of different spheres.

System requirements

XL Guide 6065, i-Cut 7.1 or iPC 1.1



DRILL TOOL

Sales code: 97AR449

What is it used for?

The drill tool is aimed at light-duty drilling in materials such as fluted core board, Honeycomb, soft foam board and triple wall corrugated. Typically, a hole is drilled for the purpose of using special screws to attach shelves or other details in connection with displays, or as a way to close or join panels in heavy-duty shipping containers.

The drilling function is provided by the head rotation control, which spins the tool at about 1,000 RPM.

Material

Fluted core board, honeycomb, soft foam board and triple wall corrugated.

Please note

The Drill Tool has been developed for relatively light-weight, paper-based materials and will not work with solid materials such as wood, plywood, MDF, foamed PVC (Forex/Sintra), acrylics...

Included

Including two spanners for bit exchange, thirteen different bit collets for bit diameters ranging from 1.0 to 7.0 mm, with 0.5 mm increments.

2 x 3 mm and 2 x 4 mm drill bits are included.



FLEXO DRILL FOR CORRUGATED FLEXO PLATES

Sales code: 97AR5068

What is it used for?

The tool insert consists of an electric drill -which fits in the FlexiHead- and a special drill bit (1/4" or 6.35 mm diameter). Drill power is supplied through the connector for reciprocating tools on the tool head.

The drilling tool is provided with an internal motor, which spins the tool up to 1,000 RPM.

Benefits

- › Debris container inside the drill bit for longer operation
- › Tungsten carbide drill bit provides long lifetime

The adjustable chuck accepts drill bits ranging from 0.5 – 6.5 mm, or 1/64" – 1/4".

Material

Flexo plates with thickness up to 7 mm.

Please note

No other reciprocating or rotary tool can be used when the drill is in use.

Included

FlexiDrill Tool with motor drive and a variable chuck, including a chuck key and one 1/4" flexo drill bit.



THE X-PAD

Sales code: 97AR5293

What is it used for?

X-pad is a pressure-sensitive pad that very accurately calibrates the vertical operating level of all the tools.

X-pad is a device-connected to the control unit with a cable, placed on the tabletop only when needed.

The X-pad makes changing knife blades and milling bits much safer and faster because operator errors in connection with such changes are eliminated. Such errors may destroy expensive material and, in serious cases, damage the cutting underlay or even the tabletop itself. X-pad is of particular importance for milling jobs that involve use of differently shaped milling bits.

Benefits

- › Very fast tool changes
- › Very fast tool calibration

Additional information

To work properly, the X-pad itself must be calibrated. The following tools are applicable when the calibration procedure is carried out:

- › Ballpoint Pen Tool, Braille Tool, CorruSpeed Knife Tool, Drill Tool
- › MultiCUT, MultiCUT HP, Psaligraphy Knife Tool, RM Knife Tool

The X-pad is included in the MultiCut HP package.



TOOL TROLLEY

Sales code: 97AR5843

What is it used for?

Keep your work area neat and safe while taking care of your valuable Esko tools with the Tool Trolley for Kongsberg X.

The trolley offers easy access to one Tool Head and four insert tools. The large internal storage space with two shelves allows you to store additional tools and there's a drawer for your bits and blades.

Additionally, there is a dedicated slot for used bits and blades for safe disposal and the trolley has five positions for screwdrivers for fast access.

The trolley is on wheels, so it can be moved easily, the wheels can be locked for safe parking.

Dimensions

W x D x H: 100 x 50 x 90
cm / 40 x 20 x 35 inch



THE BEST RESULTS ON A WIDE RANGE OF MATERIALS



Folding carton

- › Samples from all grades of folding carton.
- › Powerful function to generate sample counters based on integration with ArtiosCAD



Corrugated board

- › Short-run of boxes on demand
- › Sample boxes
- › POP displays
- › Wooden box replacements



Solid board

- › Specialty packaging gift packaging



ACM*

- › Displays
- › Advertising items
- › Signs
- › Boxes



Acrylic

- › Engraving
- › Additional furniture
- › Trophy
- › Signmaking
- › Front panels



Foam

- › Protective packaging
- › Sign



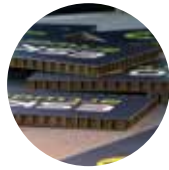
Rigid paper board Fluted core board

- › Furniture
- › POP displays
- › Semi-permanent displays



Foam board

- › Signs and posters
- › Display
- › Models of buildings, etc.



Honeycomb

- › Pallets
- › Displays
- › Protective packaging



MDF**

- › Displays
- › Furniture
- › Sign & Display



Carpet

- › Carpets with different forms or logos combining colors
- › Personalized shapes



Drawing

- › Pre-mounting for flexo plates
- › Plots on paper, Mylar foil or directly onto dieboard



Plastics

- › Boxes for presents and cosmetics
- › Document folders
- › Rain covers and sun shading
- › Credit cards
- › Lights boxes/Pop up



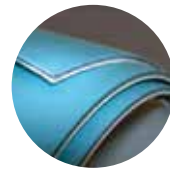
Corrugated plastic

- › Boxes
- › Displays



Paper

- › Envelopes
- › Exhibitors lining
- › Box lining



Varnish blankets

- › Varnish blankets for offset print can be cut in perfect register with the printing press.



Flexo plates



Textile

- › Banners
- › Flags
- › Advertising items
- › Roll-up



Gaskets

- › Gaskets for cars, pumps, liquids...



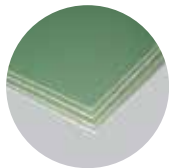
Adhesives/Vinyls

- › Labels (Short runs)
- › Vinyls for banners, cars, shops
- › Sign making



Wood

- › Displays
- › Furniture
- › Sign&Display



Fiberglass

- › Sign
- › Special constructions
- › Modelling



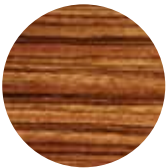
Thin aluminium

- › Displays
- › Sign making



Rubber

- › Die rubber (no drying time required)
- › Mouse mats
- › Complements for shoes
- › Magnetic foil



Veneer

- › Furniture
- › Signmaking
- › Box lining

*ACM aluminum composite material

**MDF medium-density fiberboard

ORDER YOUR BITS AND BLADES ONLINE

Visit the Kongsberg Store to buy the best bits and blades for your Kongsberg cutting table.

www.kongsbergstore.com



Belgium Kortrijksesteenweg 1087B, 9051 Gent | info.eur@kongsbergsystems.com

USA 8535 Gander Creek Dr, Suite B, Miamisburg, OH 45342 | info.na@kongsbergsystems.com

Singapore 100 TRAS Street, #16-01, 100 AM, Singapore 079027 | info.apac@kongsbergsystems.com

kongsbergsystems.com

KONGBERG
Precision Cutting Systems